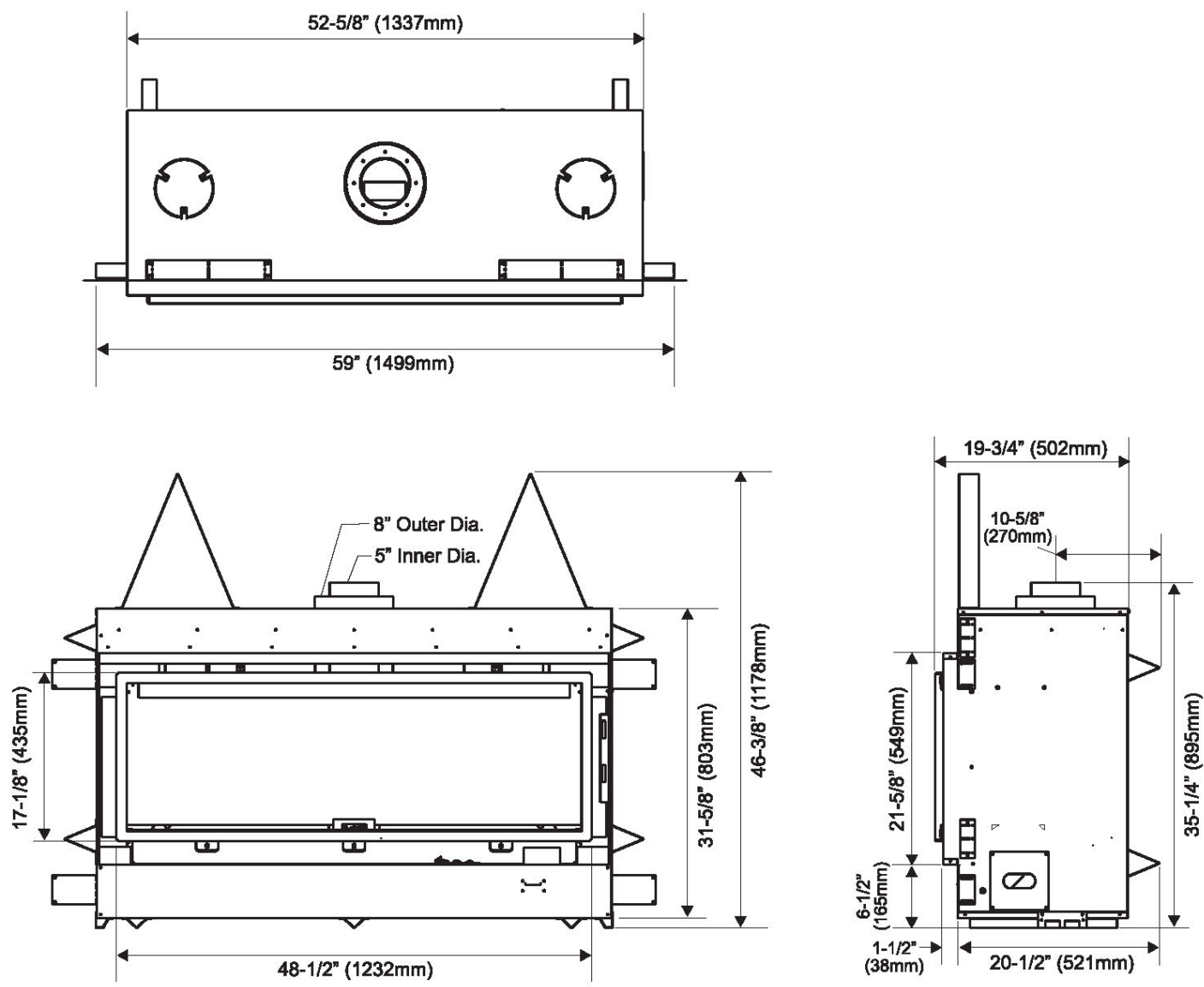


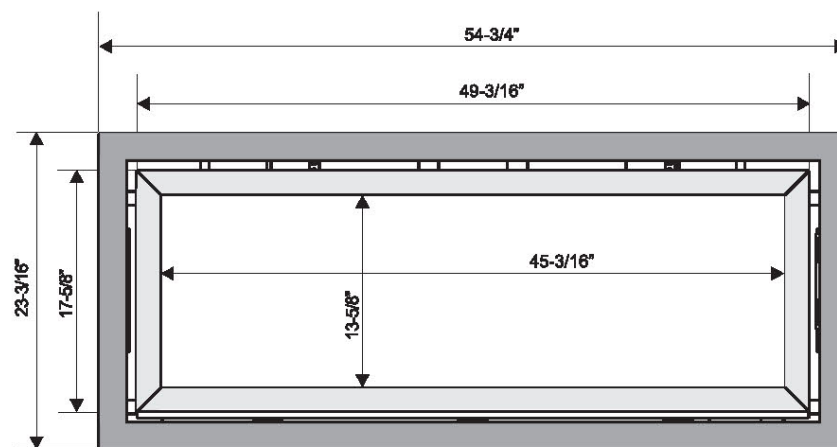
HORIZON – Dimensions & Framing

MODEL	HEIGHT		FRONT WIDTH		BACK WIDTH		DEPTH		BTU/HOUR INPUT
	Actual	Framing	Actual	Framing	Actual	Framing	Actual	Framing	
HORIZON	31 5/8"	46 5/8"	52 5/8"	60"	52 5/8"	60"	19 3/4"	22"	41,500 (NG)

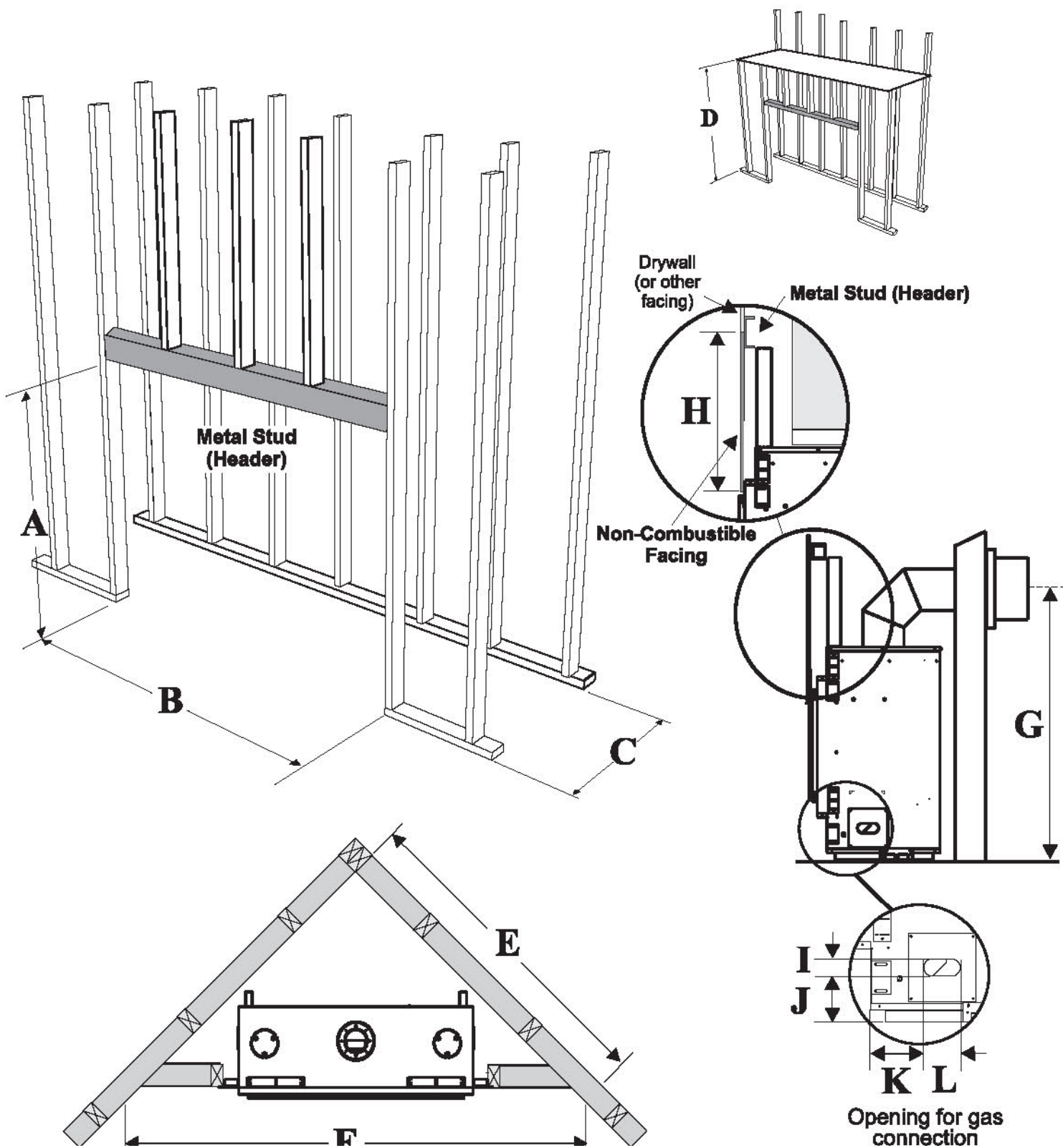
DIMENSIONS



FACEPLATE & DOOR FRAME OVERLAY DIMENSIONS



FRAMING



Framing Dimensions	Description	HZ54
A	Framing Height	46-5/8" (1184mm)
B	Framing Width	60" (1524mm)
C*	Framing Depth*	22" (559mm)
D	Minimum Height to Combustibles	51" (1295mm)
E	Corner Wall Depth	72" (1829mm)
F	Corner Facing Wall Width	101-7/8 (2586mm)
G	Vent Centerline Height	44" (1118mm)
H	Non-combustible facing height	20" (508mm)
I	Gas Connection Opening Height	1-1/2" (38mm)
J	Gas Connection Height	4" (102mm)
K	Gas Connection Inset	7-1/4" (184mm)
L	Gas Connection Opening Width	3-1/4" (83mm)

* Framing depth measurement is noted with the side nailing strips set as far forward on the firebox as possible. The side nailing strips can be adjusted back up to 1" to allow for varying thicknesses in non-combustible material & wall finishes.